

## SERIES 2328

Standard manufacturing in zinc plated steel (options in hot galvanized steel, zinc plated steel + polyester paint or stainless steel).

Support arms in aluminium.

Ball bearings of wheels do not require maintenance, they are sealed for life and do not need relubrication.

(Options: wheels with flanges diam 75 mm. and antilift rollers).

Saddle with complete support for the electric cables manufactured in laminated steel.

Rubber made buffers to reduce strokes between adjacent trolleys.

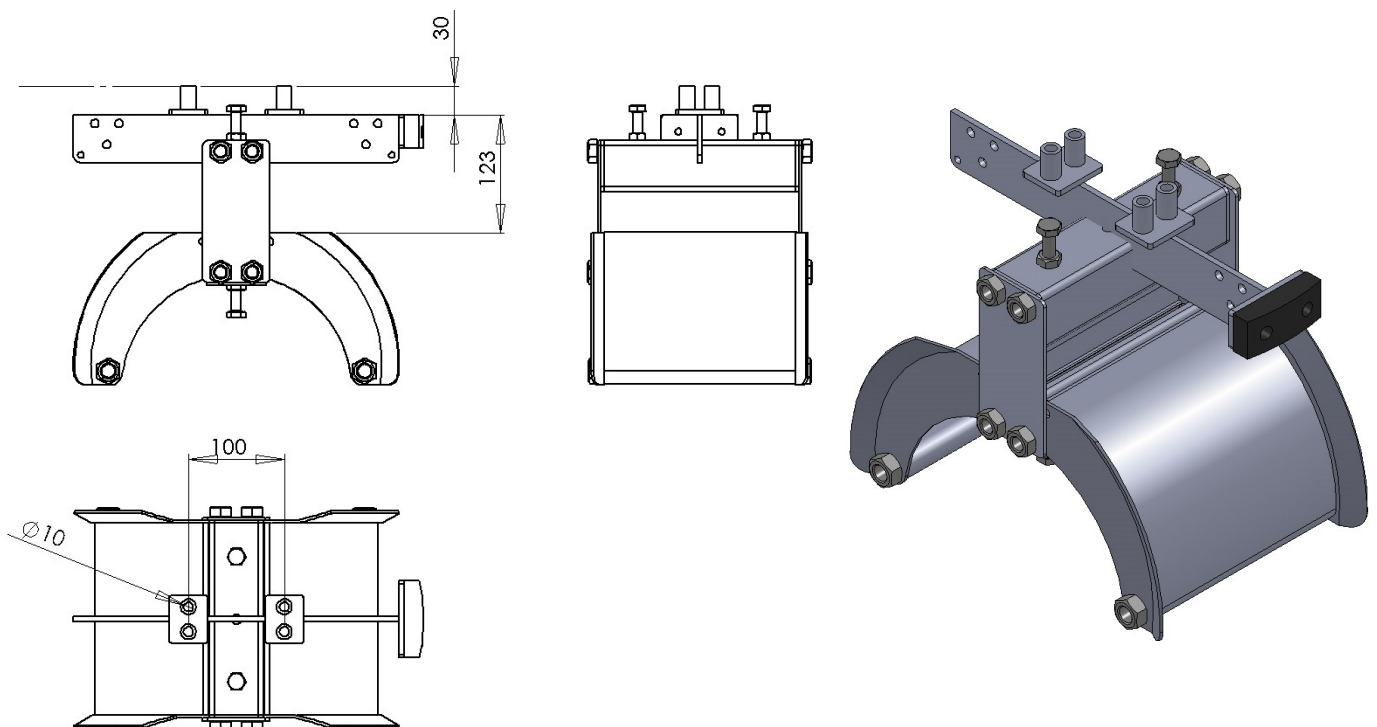
Towing ropes could be mounted, if necessary.

Platform and round cables are mounted by the side of the trolleys.

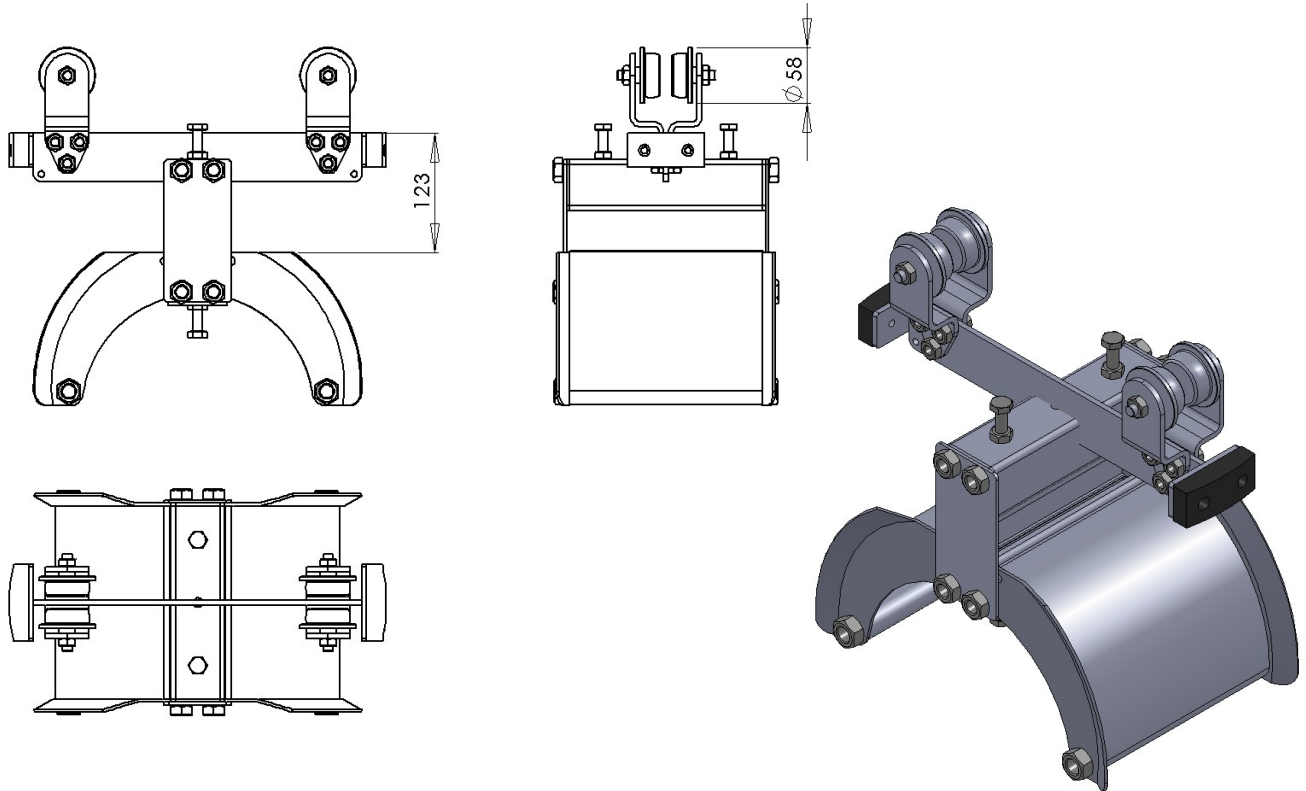
REFERENCE	CODE	MATERIALS					STANDARD DIMENSIONS			
		Body	Saddle	Support arms	Wheels	Screws	Cable trolley length (mm)	Saddle Diam (mm)	Useful width (mm)	Cable bundle height (mm)
2328(260)-300	--	Zinc plated steel	Stainless steel	Aluminium	Zinc plated steel	Zinc plated steel	300	170	150-325	40
2328-300	--	Zinc plated steel	Stainless steel	Aluminium	Zinc plated steel	Zinc plated steel	300	220	150-325	40
2328-390	--	Zinc plated steel	Stainless steel	Aluminium	Zinc plated steel	Zinc plated steel	390	290	150-325	40
2328-420	--	Zinc plated steel	Stainless steel	Aluminium	Zinc plated steel	Zinc plated steel	420	290	150-325	40
2328-540	--	Zinc plated steel	Stainless steel	Aluminium	Zinc plated steel	Zinc plated steel	540	350	150-325	50

(\*) Upon request another length of trolley, saddle diam, bundle height and/or materials.

### END CLAMP 2328-2



## CABLE TROLLEY 2328-5



## TOWING CLAMP 2328-6

