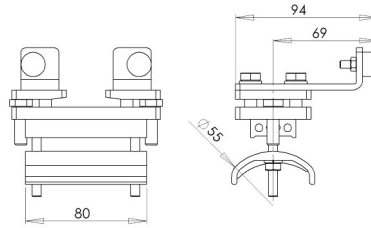
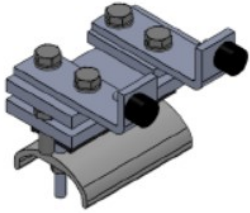




MEDIUM SERIES

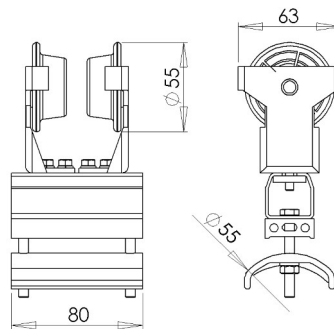
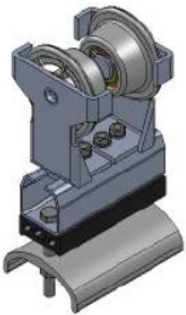
SERIES 2344

END CLAMP



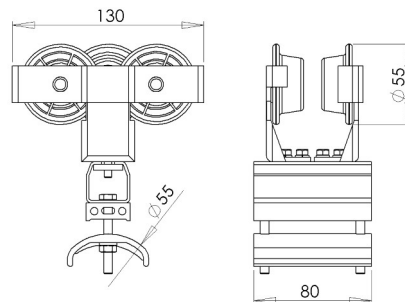
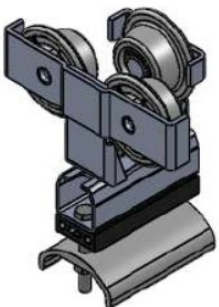
REFERENCE	CODE	MATERIALS		
		Body	Screws	Saddle
2318-2	--	Zinc plated steel	Zinc plated steel	Polipropilene

CABLE TROLLEY



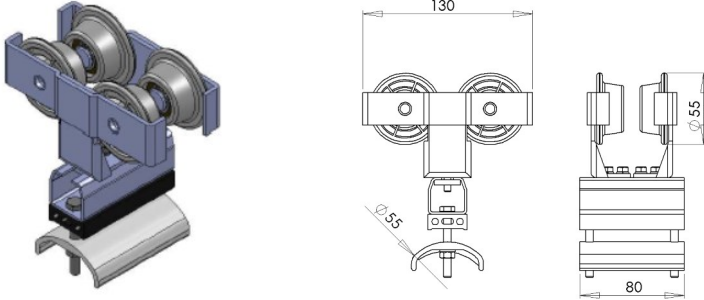
REFERENCE	CODE	MATERIALS			
		Body	Wheels	Screws	Saddle
2344-1-1	--	Zinc plated steel	RC-55	Zinc plated steel	Polipropilene
H-2344-1-1	--	Zinc plated steel	RC-58	Zinc plated steel	Polipropilene

CABLE TROLLEY



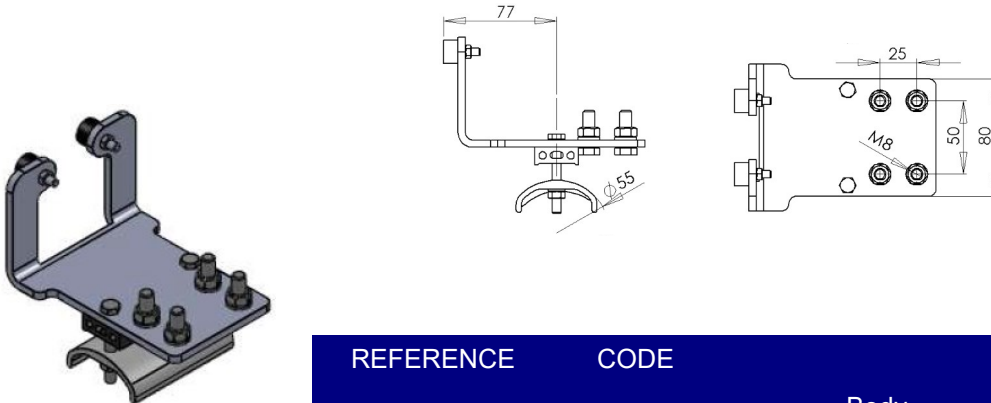
REFERENCE	CODE	MATERIALS			
		Body	Wheels	Screws	Saddle
2344-1-2	--	Zinc plated steel	RC-55	Zinc plated steel	Polipropilene
H-2344-1-2	--	Zinc plated steel	RC-58	Zinc plated steel	Polipropilene

CABLE TROLLEY



REFERENCE	CODE	MATERIALS			
		Body	Wheels	Screws	Saddle
2344-2-2	--	Zinc plated steel	RC-55	Zinc plated steel	Polipropilene
H-2344-2-2	--	Zinc plated steel	RC-58	Zinc plated steel	Polipropilene

TOWING CLAMP



REFERENCE	CODE	MATERIALS		
		Body	Screws	Saddle
2318-6	--	Zinc plated steel	Zinc plated steel	Polipropileno

2344

SPECIAL SERIES

CUSTOMIZED DIMENSIONS

The dimensions (trolley length, saddle diam, etc.) could be modified to be adjusted to customer's requirements.

METALIC WHEELS Ø58 mm.

The references and cable trolley lengths when metallic wheels are supplied:

- H-2344-1-1: 70 mm.
- H-2344-1-2 and H-2344-2-2: 135 mm.